



PIEMME ELEKTRA SRL

TRASFORMATORI

Piemme Elektra s.r.l. Unipersonale

Viale Italia, 8 65010 Collecervino (PE) Italy


Tel. +39 (0)85 82 93 091 – info@piemme-elektra.it

www.piemme-elektra.it VAT IT 01812670683

Updates:

| Rev. | Modifications | Date | Approval |
|-----------|---------------|----------|-------------------|
| | | | |
| | | | |
| | | | |
| 01 | Issue | 27/05/25 | Maurizio Parlione |



SPECIFICATION / DATA SHEET

|  | Order Code | Rev. | Date | Description | Page |
|---|----------------|-----------|-----------------|--|---------------|
| | LT20027 | 01 | 27/05/25 | Common Mode – Power line Choke 162mH 2.2A | 1 di 3 |

Electrical Properties:

| Proproperties | | Test Conditions | Value | Unit | Tol. |
|-------------------------|-----|-----------------|-------|------|--------|
| Number of windings | N | - | 2 | - | - |
| Rated Current | Ir | @ 70°C | 2.2 | A | Max |
| Working frequency | F | - | 400 | Hz | +/-20% |
| Inductance | L | 10kHz 100mV | 162 | mH | +/-40% |
| DC Resistance | Rdc | @ 20°C | 2x110 | mOhm | Max |
| Power Loss | WI | @ 70°C – 2.5A | 2 | W | Max |
| Insulation Test Voltage | Vt | 50Hz/1mA/10 sec | 1500 | Vac | - |
| Insulation resistance | Ir | 500VDC | 10 | MOhm | Min |

Certification/Compliance:


| | |
|--|------------------------------------|
| RoHS  | Compliant (2011/65/EU & 2015/863) |
| REACH  | Conform or declared (EC 1907/2006) |
| Flammability | UL94-V0 Compliant |
| MIL-PFR-27 – Transformer and Inductor – General Specification For | Compliant |
| MIL-STD-202 – Test Method Standard – Electronic end Electrical Component Parts | |
| IPC-A-610D – Acceptability of Electronic Assemblies | |

General Properties:

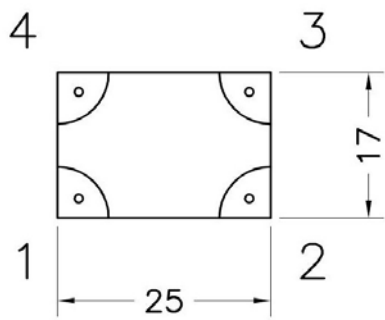
| | |
|---|------------------|
| Ambient Temperature (referring to Ir) | -40 up to +85°C |
| Operating Temperature | -40 up to +125°C |
| Temperature Rise | Max 70°C |
| Storage Conditions (in original packaging) | < 40°C - <75% RH |
| Weight | 33gr |
| | |

All values and tolerance refer to room temperature if not specified differently

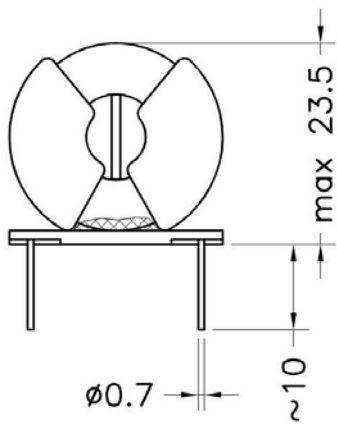
SPECIFICATION / DATA SHEET

|  | Order Code | Rev. | Date | Description | Page |
|---|----------------|-----------|-----------------|--|---------------|
| | LT20027 | 01 | 27/05/25 | Common Mode – Power line Choke 162mH 2.2A | 2 di 3 |

Dimensions (mm):



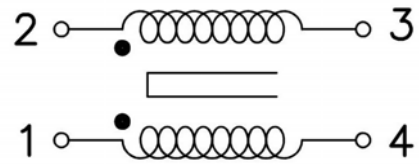
BOTTOM VIEW



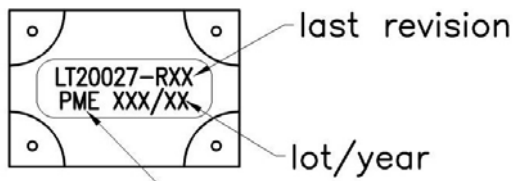
Dimensions in millimeters

General Tolerance DIN ISO 2768-C

Schematic:

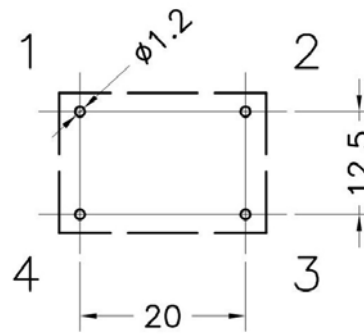


Marking:



BOTTOM VIEW

Recommended Hole Pattern (mm):



TOP VIEW

Dimensions in millimeters

SPECIFICATION / DATA SHEET

|  | Order Code | Rev. | Date | Description | Page |
|---|------------|----------------|-----------|-----------------|--|
| | | LT20027 | 01 | 27/05/25 | Common Mode – Power line Choke 162mH 2.2A |