



**Updates:**



Rev.	Modifications	Date	Approval
<b>02</b>	<b>Modified test conditions</b>	29/08/24	Maurizio Parlione
<b>01</b>	<b>Issue</b>	15/04/24	Maurizio Parlione
<b>00</b>	<b>DRAFT</b>	02/02/24	Maurizio Parlione

SPECIFICATION / DATA SHEET					
	Order Code	Rev.	Date	Description	Page
	<b>LT20024</b>	<b>02</b>	<b>29/08/24</b>	<b>Common Mode – Power line Choke</b>	<b>1 di 3</b>

**Electrical Properties:**

Proproperties		Test Conditions	Value	Unit	Tol.
Number of windings	N	-	2	-	-
Rated Current	Ir	@ 70°C	3	A	Max
Working frequency	F	-	400	Hz	+/-20%
Inductance	L	10kHz 100mV	58	mH	+/-40%
DC Resistance	Rdc	@ 20°C	70	mOhm	Max
Power Loss	WI	@ 70°C – 3A	2	W	Max
Self Resonant Frequency	SRF	-	320	kHz	+/-20kHz
Impedance	Z	150kHz	20	kOhm	Typ.
Common Mode Typical Attenuation	Att.	@150kHz 50 Ohm	48	dB	Typ.
Insulation Test Voltage	Vt	50Hz/1mA/10 sec	1500	Vac	-
Insulation resistance	Ir	500VDC	10	MOhm	Min


**Certification/Compliance:**

RoHS 	Compliant (2011/65/EU &2015/863)
REACH 	Conform or declared (EC 1907/2006)
Flammability	UL94-V0 Compliant
MIL-PFR-27 – Transformer and Inductor – General Specification For	Compliant
MIL-STD-202 – Test Metod Standard – Electronic end Electrical Component Parts	
IPC-A-610D – Acceptability of Electronic Assemblies	

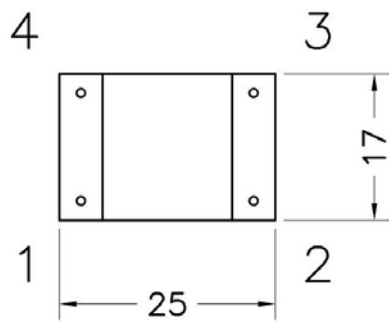
**General Properties:**

Ambient Temperature ( referring to Ir)	-40 up to +85°C
Operating Temperature	-40 up to +125°C
Temperature Rise	Max 70°C
Storage Conditions ( in original packaging)	< 40°C - <75% RH
Weight	33gr

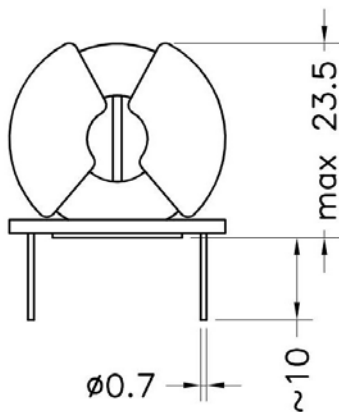
All values and tolerance refer to room temperature if not specified differently

SPECIFICATION / DATA SHEET					
	Order Code	Rev.	Date	Description	Page
	LT20024	02	29/08/24	Common Mode – Power line Choke	2 di 3

**Dimensions (mm):**



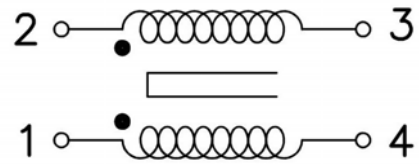
BOTTOM VIEW



Dimensions in millimeters

General Tolerance DIN ISO 2768-C

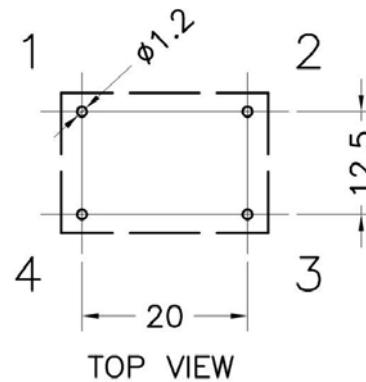
**Schematic:**



**Marking:**

Logo  
PME - Data Code  
LT20024 Revxx


**Recommended Hole Pattern (mm):**



TOP VIEW

Dimensions in millimeters

**SPECIFICATION / DATA SHEET**

	Order Code	Rev.	Date	Description	Page
		<b>LT20024</b>	<b>02</b>	<b>29/08/24</b>	<b>Common Mode – Power line Choke</b>