


Information contained in this document is proprietary to PIEMME ELEKTRA SRL. This document and the information contained herein may not be copied, reproduced, used or disclosed in whole or in part in any form without the prior written consent of PIEMME ELEKTRA SRL.

Revisions

Rev.	Description	Date	Executor
05			
04			
03			
02			
01	Issue	23/11/23	Parlione M.



document type		Data Sheet			
	code	Rev	Date	Description	Page
	SE-EI68080B-C-R2	01	23/11/23	Interstage transformer 1:1:1:1 40/80mA	1 of 4

Information contained in this document is proprietary to PIEMME ELEKTRA SRL. This document and the information contained herein may not be copied, reproduced, used or disclosed in whole or in part in any form without the prior written consent of PIEMME ELEKTRA SRL.

Technical data

Interstage transformer (Vmax 160/320V)

PRI: 2.5-5-10-20kOhm

Idc primary:

- 40mA with series windings
- 80mA con parallel windings

SEC: 2.5-5-10-20kOhm

Setting with transformer ratio:

1:1 (10÷20kOhm / 10÷20kOhm)

1:1 (2.5÷5kOhm / 2.5÷5kOhm)

1:2 (2.5÷5 / 10÷20kOhm)

2:1 (10÷20 / 2.5÷5kOhm)

With series Primary:

Inductance: 80H

Resistance: 660 Ohm

Leakage Inductance: 85mH

PRI/SEC capability: <980pF

Resistance secondary series: 730 Ohm


BW 13-27 kHz -3dB

BW 19-22kKz -1dB

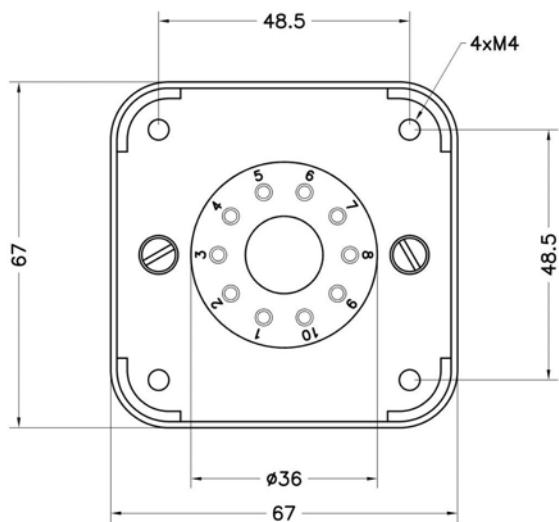
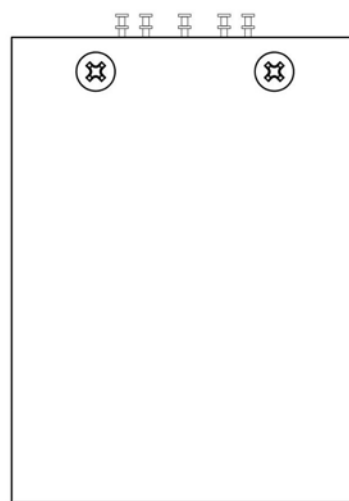
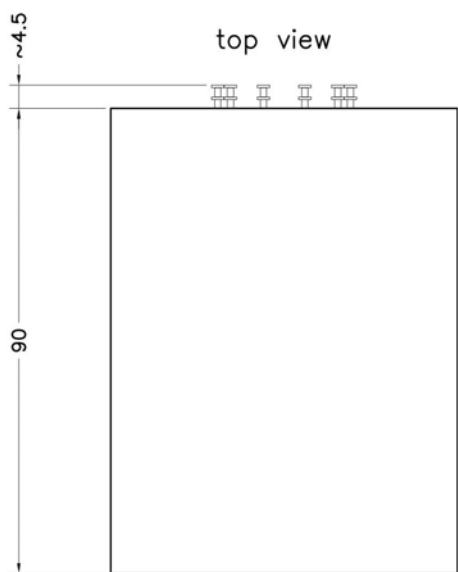
Double "C" core HiB 0.27

Weight: 1.42 kg

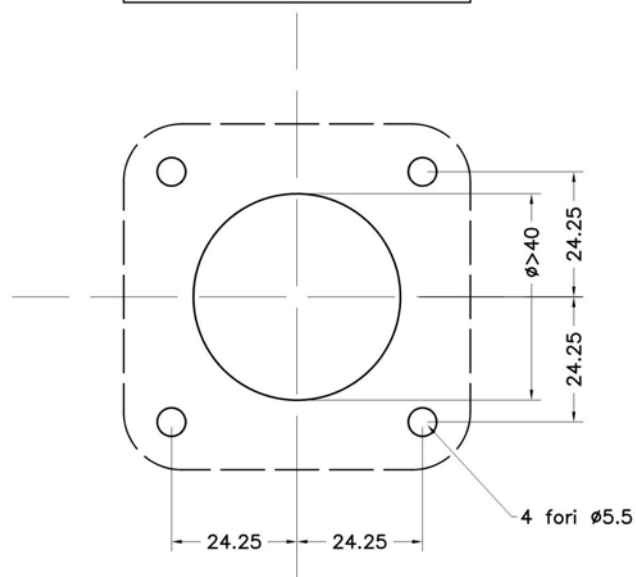
Compliant CEI EN IEC 61558-1: 2021-05 / CEI EN IEC 61558-2-1: 2007-03

document type		Data Sheet			
	code	Rev	Date	Description	Page
	SE-EI68080B-C-R2	01	23/11/23	Interstage transformer 1:1:1:1 40/80mA	2 of 4


Drawing



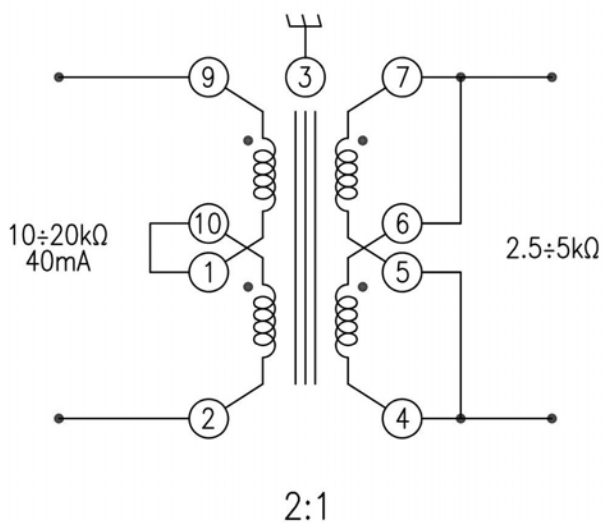
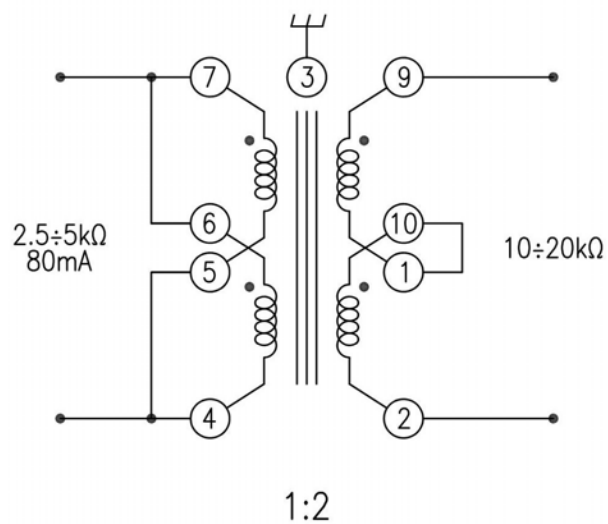
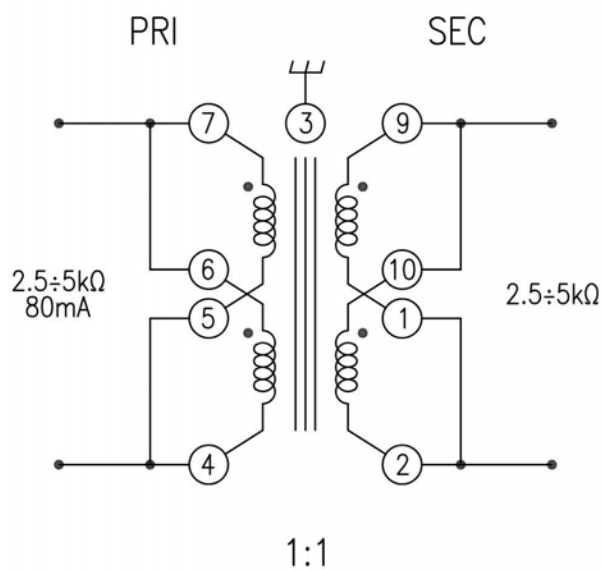
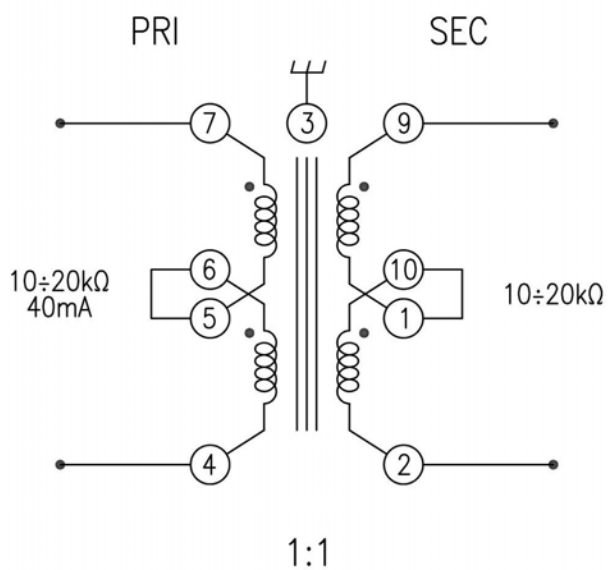
dimensions in millimeters




Template for assembling (top view)

document type		Data Sheet			
	code	Rev	Date	Description	Page
	SE-EI68080B-C-R2	01	23/11/23	Interstage transformer 1:1:1:1 40/80mA	3 of 4

Schematic and connections



document type		Data Sheet			
	code	Rev	Date	Description	Page
	SE-EI68080B-C-R2	01	23/11/23	Interstage transformer 1:1:1:1 40/80mA	4 of 4