



**Updates:**



Rev.	Modifications	Date	Approval
<b>00</b>	<b>DRAFT</b>	02/02/24	Maurizio Parlione

<b>SPECIFICATION / DATA SHEET</b>					
	Order Code	Rev.	Date	Description	Page
	<b>TT20010</b>	<b>01</b>	<b>02/02/24</b>	<b>2.7VA PCB POWER TRANSFORMER</b>	<b>1 di 3</b>

### Electrical Properties:

Proproperties		Test Conditions	Value	Unit	Tol.
Number of windings	N	-	2	-	-
Rated Power	P		2.7	VA	
Working frequency	F		400	Hz	+/- 10%
Transient Working frequency	Fmax	Load 1.5W @115V	400	Hz	+/- 20%
Steady State Working Voltage	Vp		115	V	+/- 15%
Abnormal Voltage Transient	Vpk1	1 S	160	V	Max
Transient primary Volatage	Vpk2	100mS	180	V	Max
Primary no-load Current	Io	115V +/-0.5V 400Hz	2	mA	Max
Primary no-load consuption	Wo	115V +/-0.5V 400Hz	0.15	W	Max
Secondary no-load voltage	Vso	115V +/-0.5V 400Hz	16.4	V	+/- 2%
Secondary Rated Current	Ir		100	mA	Typ.
Max secondary rated current	Imax		200	mA	Max
Load Regulation @ 200mA	VI	115V 400Hz	13.9	V	+/- 3%
Primary DC resistance	RdcP	DC @ 20°C	265	Ohm	Max
Secondari DC Resistance	RdcS	@ 20°C	7	Ohm	Max
Total Power Loss @ 115V 400Hz	Wt	@ 70°C – 0.2A load	0.7	W	Max
Dielectric Strength PRI/SEC	Vt	50Hz/1mA/10 sec	1500	Vac	-
Insulation resistance	Ir	500VDC	10	MOhm	Min


### Certification/Compliance:

RoHS 	Compliant (2011/65/EU &2015/863)
REACH 	Conform or declared (EC 1907/2006)
Flammability	UL94-V0 Compliant
MIL-PFR-27 – Transformer and Inductor – General Specification For	Compliant
EN 61558-1 / EN61558-2-20	
MIL-STD-202 – Test Metod Standard – Electronic end Electrical Component Parts	
IPC-A-610D – Acceptability of Electronic Assemblies	

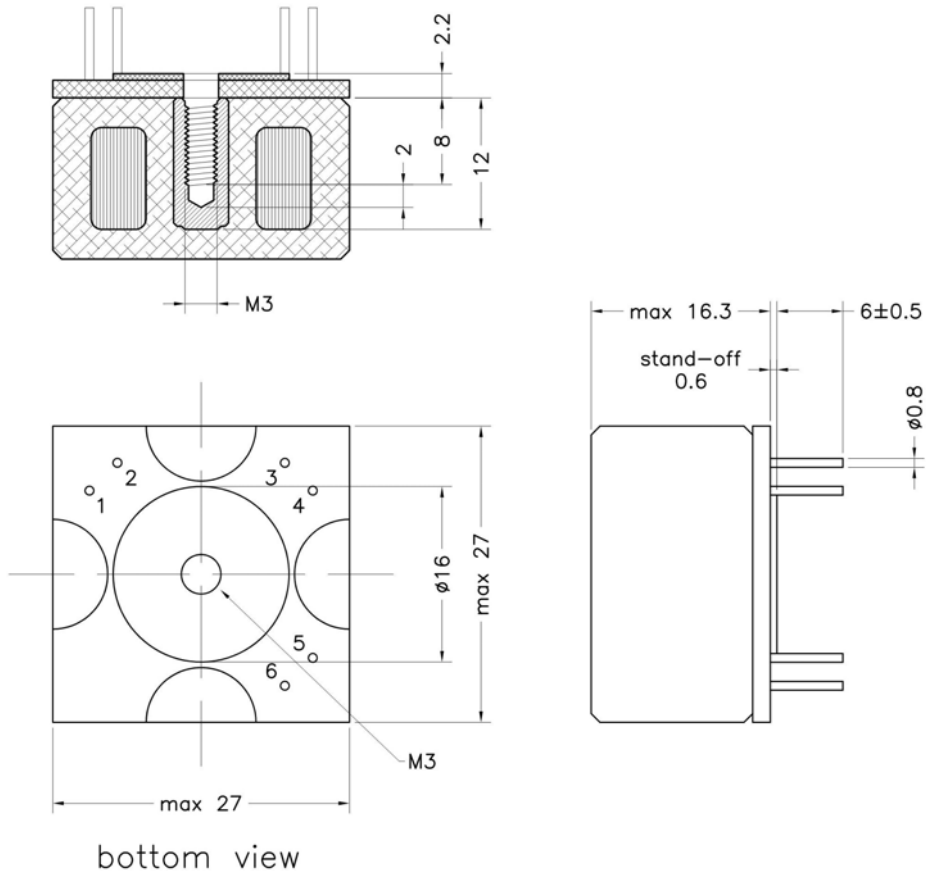
### General Properties:

Ambient Temperature ( referring to Ir)	-40 up to +85°C
Operating Temperature	-40 up to +125°C
Temperature Rise	Max 40°C
Storage Conditions ( in original packaging)	< 55°C
Altitude	70.000 ft
Weight	35gr typ.

All values and tolerance refer to room temperature if not specified differently

SPECIFICATION / DATA SHEET					
	Order Code	Rev.	Date	Description	Page
	<b>TT20010</b>	<b>01</b>	<b>02/02/24</b>	<b>2.7VA PCB POWER TRANSFORMER</b>	<b>2 di 3</b>

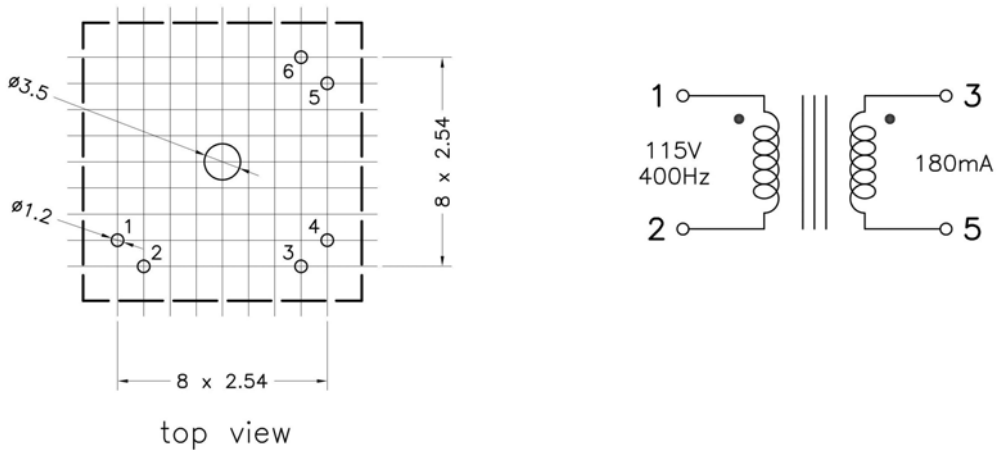
**Dimensions (mm):**



Dimensions in millimeters


General Tolerance DIN ISO 2768-C

**Schematic and Recommended Hole Pattern (mm):**



Dimensions in millimeters

**SPECIFICATION / DATA SHEET**

	Order Code	Rev.	Date	Description	Page
		<b>TT20010</b>	<b>01</b>	<b>02/02/24</b>	<b>2.7VA PCB POWER TRANSFORMER</b>