


Information contained in this document is proprietary to PIEMME ELEKTRA SRL. This document and the information contained herein may not be copied, reproduced, used or disclosed in whole or in part in any form without the prior written consent of PIEMME ELEKTRA SRL.

Revisions

Rev.	Description	Date	Executor
05			
04			
03			
02			
01	Issue	04/05/22	Parlione M.



document type		Data Sheet			
	code	Rev.	Date	Description	Page
	PP-EI10816CV-N	01	04/05/22	120W Push Pull Output Transformer	1 of 4

Information contained in this document is proprietary to PIEMME ELEKTRA SRL. This document and the information contained herein may not be copied, reproduced, used or disclosed in whole or in part in any form without the prior written consent of PIEMME ELEKTRA SRL.

Technical data

Push Pull Output transformer (Separating transformer)

Power: 120Watt

Input impedance: 2000 Ohm UL tap 40%

Input inductance: @20Hz 1V: > 50H

Input DC resistance: 17+17 Ohm +/- 2% imbalance

Output Impedance: 0-4-8-16 Ohm

Output DC resistance: 0.17/0.24/0.43 Ohm

Leakage primary inductance @ 1kHz Serie: 17/5/5mH

Bandwidth: 20-40.000Hz

Capacitance between primary and secondary: 1600pF

Maximum ambient temperature: t_a 50°C


Thermal classification: E (120°C)

Dielectric strength PRI/SEC: 2000VAC

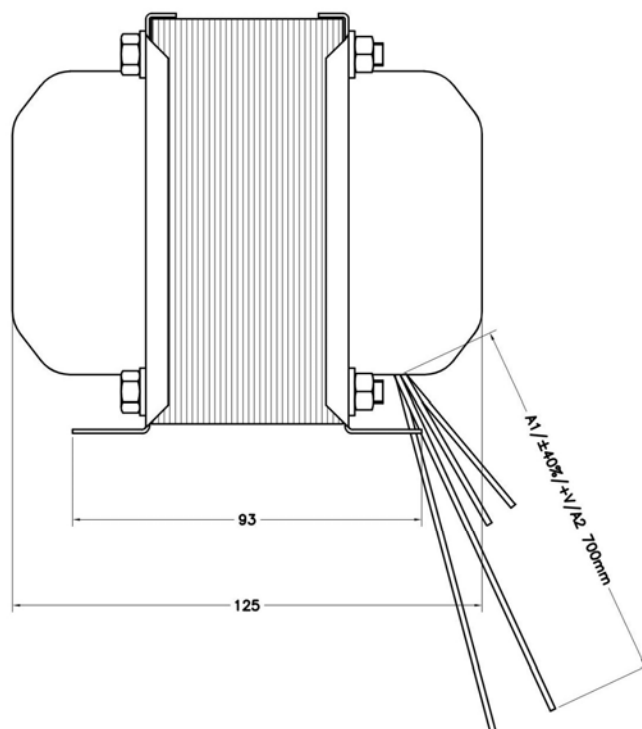
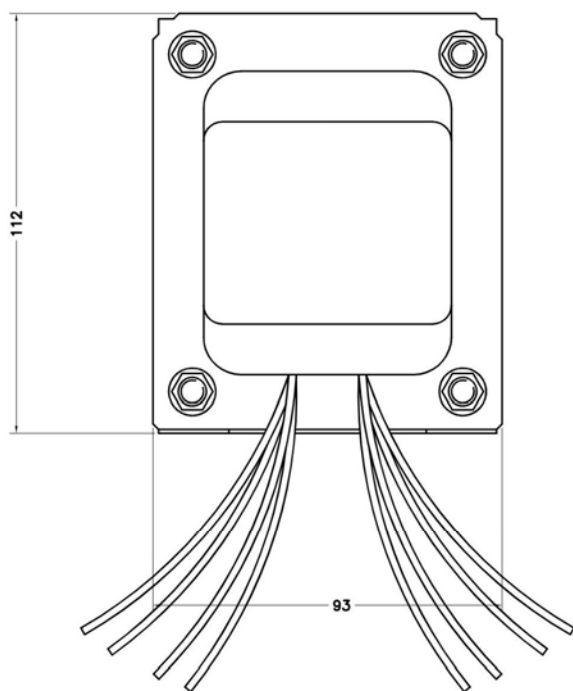
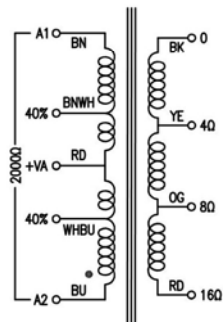
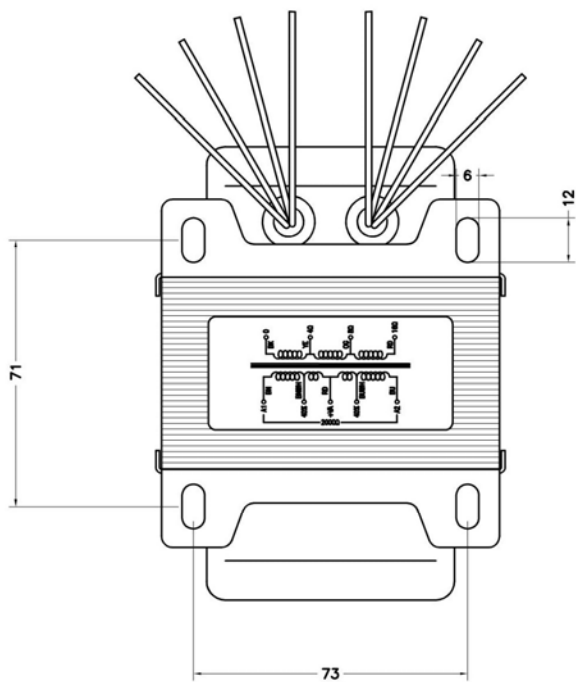
Weight: 4000gr

Built-in transformer for specific use


Compliant CEI EN IEC 61558-1: 2021-05 / CEI EN IEC 61558-2-1: 2007-03

document type		Data Sheet			
	code	Rev.	Date	Description	Page
	PS-EI10816CV-N	01	04/05/22	120W Push Pull Output Transformer	2 of 4

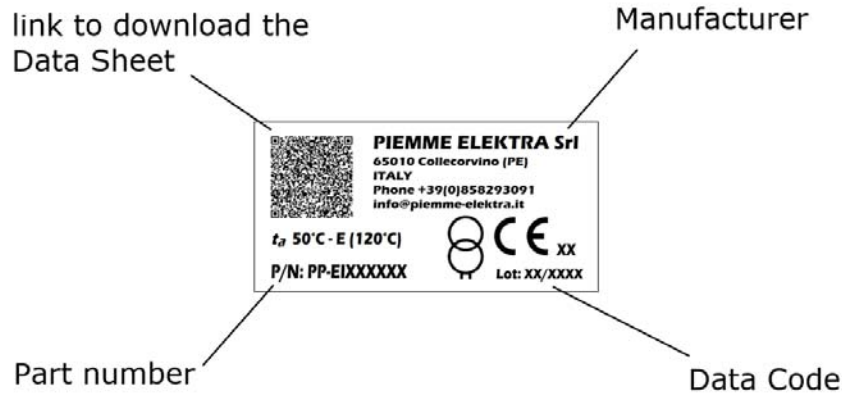
Drawing



Dimensions in millimeters


document type		Data Sheet			
	code	Rev.	Date	Description	Page
	PS-EI10816CV-N	01	04/05/22	120W Push Pull Output Transformer	3 of 4

Identification



Main materials list

Ref.	Description	Material	Manufacturer	Manufacturer or Supplier P/N	UL File
1	Coilformer EI108 36x50 PA 6.6 30% F.V.	Latamid 6.6H2G30	LATI Industria Termoplastici spa	1263 CARTOPLAST	E54080
2	Metallic cover cup	Iron	custom	CM36/10Z Eurocomponent	NA
3	M6T35 Grain Oriented magnetic sheet 90x108mm	Iron silicon	Trancerie emiliane	-	NA
4	Duble enameled copper wire 0.45/1.00 OBMW2 ANSI type MW-79, 155°C	Enameled copper wire	IRCE	Salflex 180	E60641
4.1	Duble enameled copper wire 0.45/1.00mm OBMW2 ANSI type MW-82, MW-83, 180°C	Enameled copper wire	Nexans	Magnesol UN-180	E69919
5	0.5/1.00mm 4kV silicon glass insulating tube -60/+250°C	Silicone/ Fiber glass	ISOLCAVI	GVES4000-xx	E311983
6	750V flexible cable 0.5/1.0sqmm -55/+155°C	-	HUBER+SUHNER	Radox 155	-
7	54x0.05mm 3mm fringed poliester film	Mylar	DUPONT	CIERRE	E93687
8	180°C dipping insulation resin	-	JOHN C. DOLPH COMPANY	HI-THERM® BC-359	180°C UL recognized systems
9	2mils x 50mm adesive poliester film	Mylar	3M	1350 2mils	E17385

document type		Data Sheet			
	code	Rev.	Date	Description	Page
	PS-EI10816CV-N	01	04/05/22	120W Push Pull Output Transformer	4 of 4