


Information contained in this document is proprietary to PIEMME ELEKTRA SRL. This document and the information contained herein may not be copied, reproduced, used or disclosed in whole or in part in any form without the prior written consent of PIEMME ELEKTRA SRL.

Revisions

Rev.	Description	Date	Executor
05			
04			
03			
02			
01	Issue	04/05/22	Parlione M.



Document type		Data Sheet			
	Code	Rev.	Date	Description	Page
	PS-EI84040CV-N	01	04/05/22	100VA Power Transformer	1 of 4

Information contained in this document is proprietary to PIEMME ELEKTRA SRL. This document and the information contained herein may not be copied, reproduced, used or disclosed in whole or in part in any form without the prior written consent of PIEMME ELEKTRA SRL.

Technical data

Isolating Transformer

Total Power: 100VA

Input voltage: 0-115/230VAC, Frequency 50-60Hz

Transformer not protected against short circuit

Provide a fuse in primary side T 0.5A for 230V / T 1A for 115V

Output 1: 275VAC 0.18A (No-load voltage: 291.5V, voltage at rated load: $\geq 274V$)
Recommended fuse T 0.2A

Output 2: 50VAC 0.16A (No-load voltage: 50.7V, voltage at rated load: $\geq 48V$)
Recommended fuse T 0.2A

Output 3: 6.3VAC 5A (No-load voltage: 6.76V, voltage at rated load: $\geq 6.2V$)
Recommended fuse T 5A

Output 4: 6.3VAC 2A (No-load voltage: 6.76V, voltage at rated load: $\geq 6.2V$)
Recommended fuse T 2°

Wire screen between primary and secondary winding

Maximum ambient temperature: t_a 50°C

Thermal classification: E (120°C)

Insulation resistance: PRI/SEC $> 7M\Omega$

Dielectric strength: PRI/SEC 3000VAC

Normal environment

Overvoltage category: II

Weight: 1800gr


Protection against electric shock: determined based on how the transformer is incorporated.

Built-in transformer for specific use

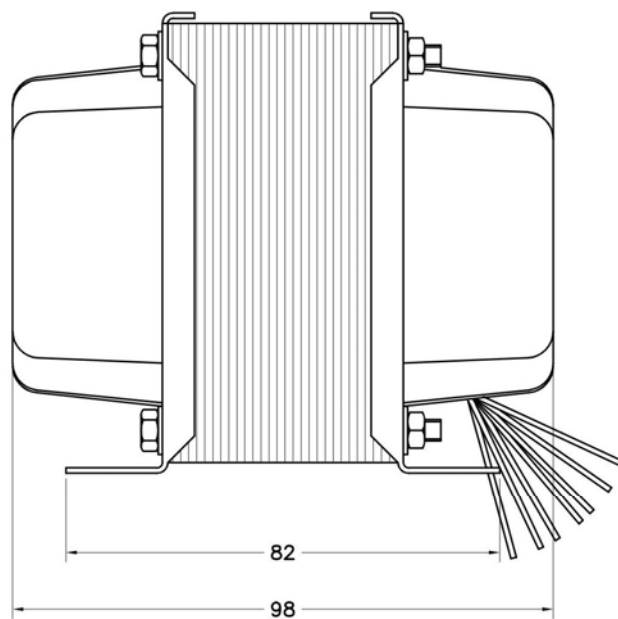
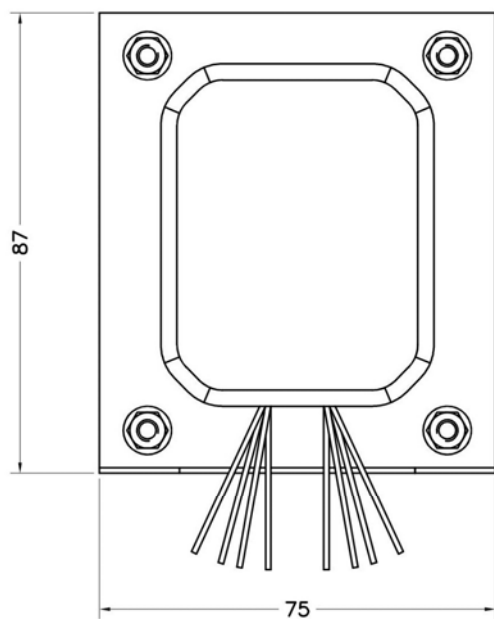
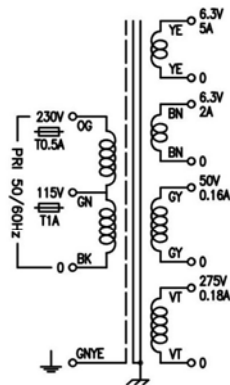
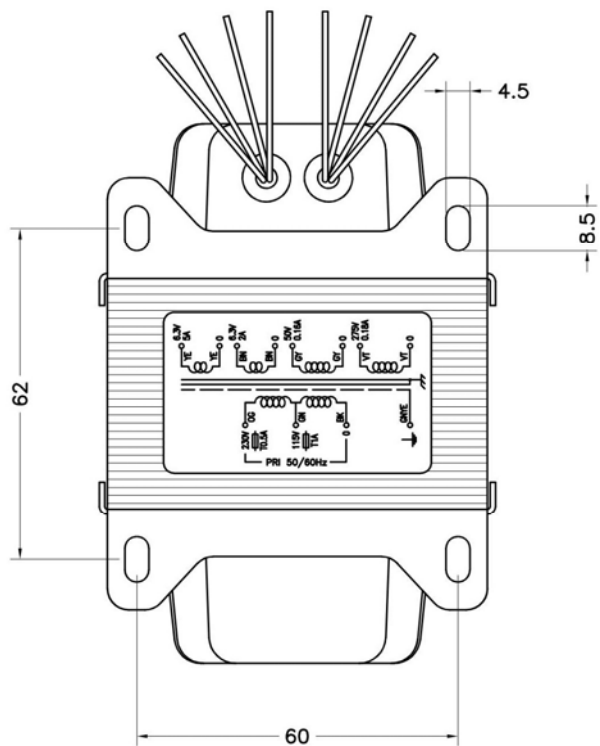
Continuous use

Z type cable connection


Compliant CEI EN IEC 61558-1: 2021-05 / CEI EN IEC 61558-2-4: 2010-02

Document type		Data Sheet			
	code	Rev.	Date	Description	Page
	PS-EI84040CV-N	01	04/05/22	100VA Power Transformer	2 of 4

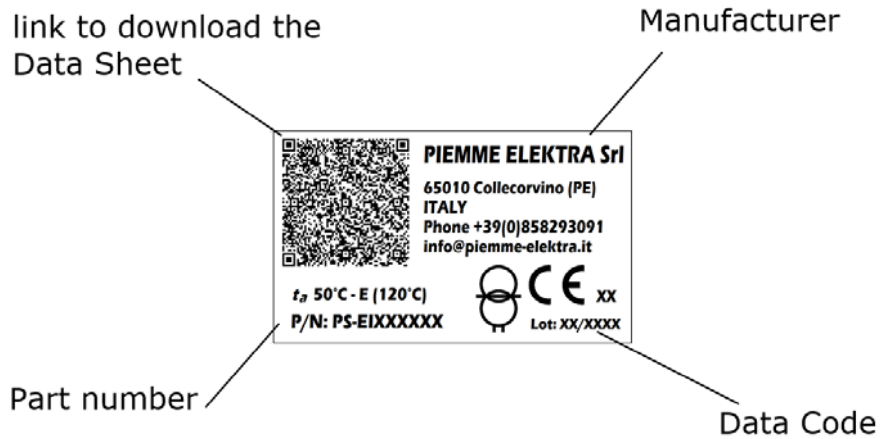
Drawing



Dimensions in millimeters


Document type		Data Sheet			
	code	Rev.	Date	Description	Page
	PS-EI84040CV-N	01	04/05/22	100VA Power Transformer	3 of 4

Identification



Main materials list

Ref.	Description	Material	Manufacturer	Manufacturer or Supplier P/N	UL File
1	Coilformer EI84 28x43 PA 6.6 30% F.V. Complete with 12 faston	Latamid 6.6H2G30	LATI Industria Termoplastici spa	R2843R27YXX--01 ZETTI	E54080
2	Metallic cover cup	Iron	EUROCOMPONENT	CM28/7-Z	NA
3	M6T35 Grain Oriented magnetic sheet 70x84mm	Iron silicon	Trancerie emiliane	-	NA
4	Duble enameled copper wire 0.60/0.375/0.265/0.95/0.71m m OBMW2 ANSI type MW-79, 155°C	Enameled copper wire	IRCE	Salflex 180	E60641
4.1	Duble enameled copper wire 0.60/0.375/0.265/0.95/0.71m m OBMW2 ANSI type MW-82, MW-83, 180°C	Enameled copper wire	Nexans	Magnesol UN-180	E69919
5	0.5/1.00mm 4kV silicon glass insulating tube -60/+250°C	Silicone/ Fiber glass	ISOLCAVI	GVES4000-xx	E311983
6	750V flexible cable 0.5/1.0sqmm -55/+155°C	-	HUBER+SUHNER	Radox 155	-
7	43x0.075mm 3mm fringed poliester film 43mm	MYLAR	DUPONT	CIERRE	E93687
8	180°C dipping insulation resin	-	JOHN C. DOLPH COMPANY	HI-THERM® BC-359	180°C UL recognized systems
9	2mils x 38mm adesive poliester film	Mylar	3M	1350 2mils	E17385

Document type		Data Sheet			
	code	Rev.	Date	Description	Page
	PS-EI84040CV-N	01	04/05/22	100VA Power Transformer	4 of 4