


Information contained in this document is proprietary to PIEMME ELEKTRA SRL. This document and the information contained herein may not be copied, reproduced, used or disclosed in whole or in part in any form without the prior written consent of PIEMME ELEKTRA SRL.

Revisions

Rev.	Description	Date	Executor
05			
04			
03			
02			
01	Issue	04/05/22	Parlione M.



document type		Data Sheet			
	code	Rev.	Date	Description	Page
	DC-EI 68070CV-N	01	04/05/22	DC Filter Choke 10H 130mA 200 Ohm	1 of 4

Information contained in this document is proprietary to PIEMME ELEKTRA SRL. This document and the information contained herein may not be copied, reproduced, used or disclosed in whole or in part in any form without the prior written consent of PIEMME ELEKTRA SRL.

Technical data

DC Power Choke

Nominal Inductance: 10 Henry

Max Idc: 130mA

Resistance: 200 Ohm

Working Voltage: 500VDC

External electrostatic shield

Inductor not protected against short circuit

Recommended fuse: T 0.15A

Maximum ambient temperature: t_a 50°C

Thermal classification: E (120°C)

Insulation resistance: PRI/CORE >7MΩ

Dielectric strength: PRI/CORE 2000VAC

Normal environment

Overvoltage category: II


Weight: 880gr

Protection against electric shock: determined based on how the Inductor is incorporated.

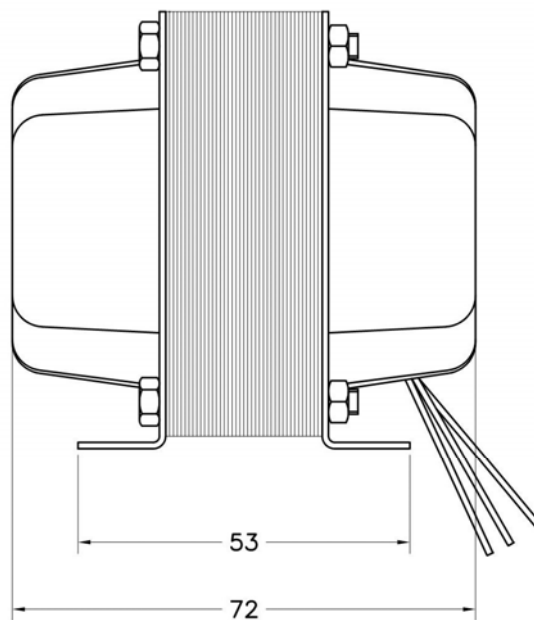
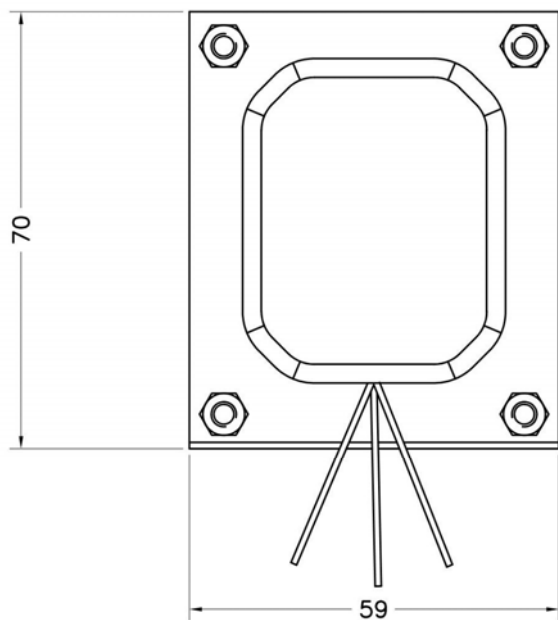
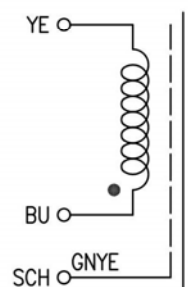
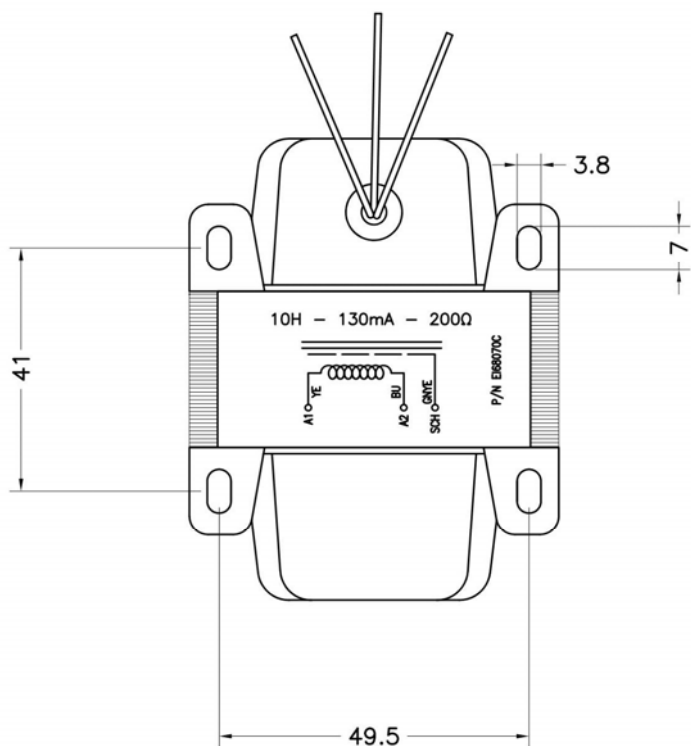
Built-in transformer for specific use

Continuous use


Compliant CEI EN IEC 61558-1: 2021-05 / CEI EN IEC 61558-2-20: 2012-03

document type		Data Sheet			
	code	Rev.	Date	Description	Page
	DC-EI 68070CV-N	01	04/05/22	DC Filter Choke 10H 130mA 200 Ohm	2 of 4

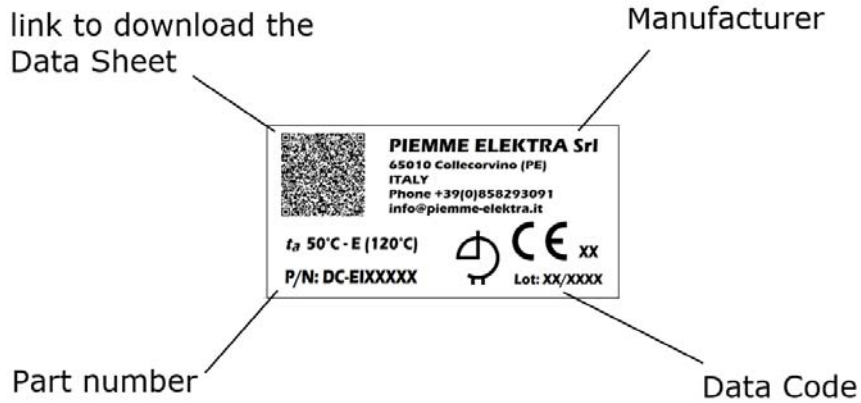
Drawing



Dimensions in millimeters


document type		Data Sheet			
	code	Rev.	Date	Description	Page
	DC-EI68070CV-N	01	04/05/22	DC Filter Choke 10H 130mA 200 Ohm	3 of 4

Identification



Main materials list

Ref.	Description	Material	Manufacturer	Manufacturer or Supplier P/N	UL File
1	Coilformer EI60 22x25 PA 6.6 30% F.V. Complete with 12 faston	Latamid 6.6H2G30	LATI Industria Termoplastici spa	R2225T14YXXFX01 ZETTI	E54080
2	Cover cup	Iron	Eurocomponent	CM22/5Z	NA
3	1.5W/kg magnetic sheet 58x68mm	Iron silicon	Trancerie emiliane	-	NA
4	Duble enameled copper wire 0.224mm OBMW2 ANSI type MW-79, 155°C	Enameled copper wire	IRCE	Salflex 180	E60641
4.1	Duble enameled copper wire 0.224mm OBMW2 ANSI Type MW-82, MW-83, 180°C	Enameled copper wire	Nexans	Magnesol UN-180	E69919
5	180°C dipping insulation resin	-	JOHN C. DOLPH COMPANY	HI-THERM® BC-359	180°C UL recognized systems
6	2mils x 33mm adesive poliester film	Mylar	3M	1350 2mils	E17385
7	750V flexible cable 0.5sqmm - 55/+155°C	-	HUBER+SUHNER	Radox 155	

document type		Data Sheet			
	code	Rev.	Date	Description	Page
	DC-EI 68070CV-N	01	04/05/22	DC Filter Choke 10H 130mA 200 Ohm	4 of 4