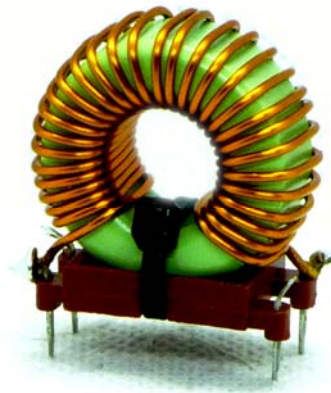



Updates:

Rev.	Modifications	Date	Approval
01	Release	15/05/24	Maurizio Parlione





SPECIFICATION / DATA SHEET					
	Order Code	Rev.	Date	Description	Page
	LT27013	01	15/05/24	85uH 8A Differential Mode Chokes – Line Power	1 di 3

Electrical Properties:

Proproperties		Test Conditions	Value	Unit	Tol.
Number of windings	N	-	1	-	-
Working frequency	F		DC-440	Hz	Typ
Steady State Working Voltage	Vn		250	V	Typ
Rated Current	Ir		8	A	Max
Rated inductance	L		85	uH	Nominal
DC resistance	Rdc	DC @ 20°C	27	mOhm	Max

Certification/Compliance:


RoHS 	Compliant (2011/65/EU & 2015/863)
REACH 	Conform or declared (EC 1907/2006)
Flammability	UL94-HB Compliant
MIL-STD-202 – Test Method Standard – Electronic end Electrical Component Parts	
IPC-A-610D – Acceptability of Electronic Assemblies	

General Properties:

Ambient Temperature (referring to Ir)	-25 up to +45°C
Operating Temperature	-25 up to +100°C
Weight	35gr typ.

All values and tolerance refer to room temperature if not specified differently


SPECIFICATION / DATA SHEET

	Order Code	Rev.	Date	Description	Page
	LT27013	01	15/05/24	85uH 8A Differential Mode Chokes – Line Power	2 di 3

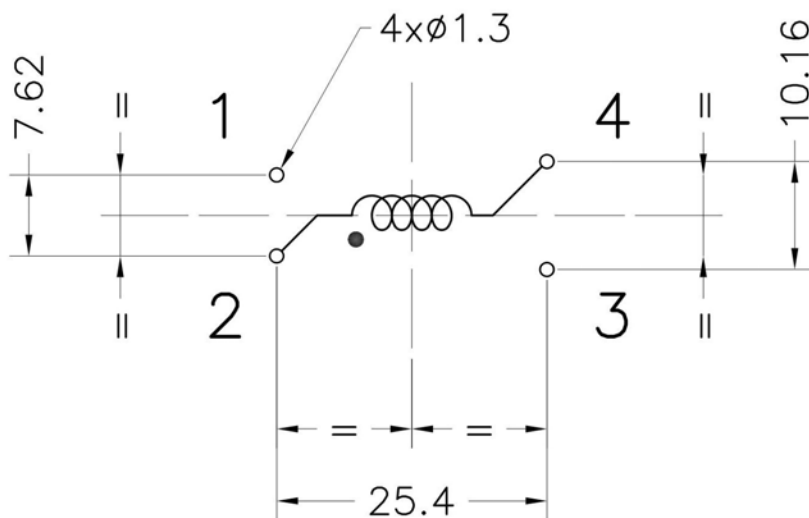
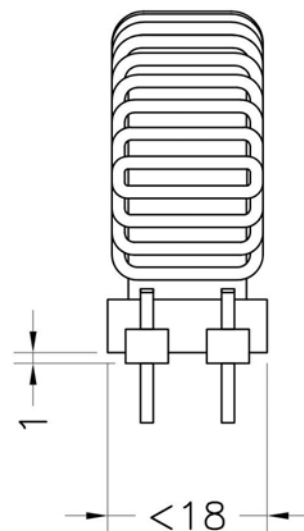
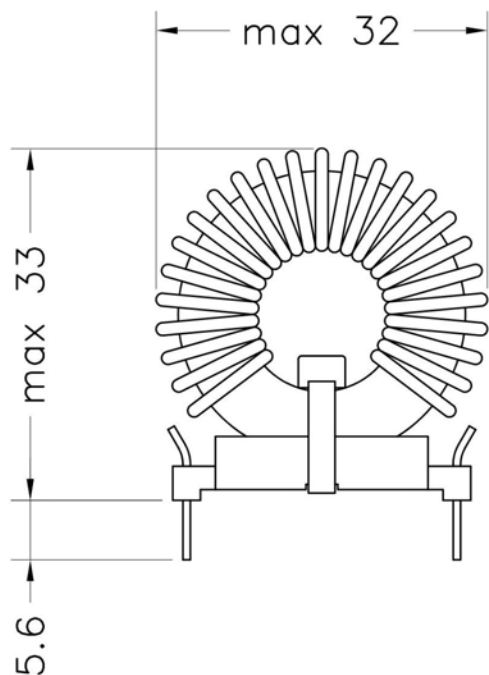
Bill Of Materials

Rif.	Descrizione	Materiale	Q.tà	Costrutt.	Part Nr. Fornit./costrutt.	UL File
1	Nucleo Toro R27 AL95 Isolato resina Epox	Polvere di ferro	1	Micrometals	T106-52	
4	Filo Rame 1.00mm Doppio smalto saldabile OBMW2 ANSI type MW-79, 155°C	Rame smaltato	20 gr	IEssex Italy	Saldavex F4	E45523
4	Filo Rame 1.00mm Doppio smalto saldabile OBMW2 ANSI type MW-82, MW-83, 180°C	Rame smaltato		IRCE	Salflex 180	E60641
4	Filo Rame 1.00mm Doppio smalto saldabile OBMW2 ANSI type MW-80, 180°C	Rame smaltato		Nexans	Magnesol UN-180	E69919
6	Basetta a 4 terminali UL94HB rated	30% Glass Filled Nylon PA66, Black	1pz	Miles Platts	TR0020GNNBL K0001 72959 Toroid Mount	Vedi sotto
6	Plastica F 155°C	30% Glass Filled Nylon PA66, Black		DuPont	Zytel 70G30HSL	E69939
6	Plastica B 130°C	30% Glass Filled Nylon PA66, Black		Rhodia	Technyl A218V30	E130357
6.1	Terminali stagnati	Bronzo Fosforoso	4pz	Miles platts	TBS-901	N.A.
8	Fascetta autobloccante nera - 40/+85°C UL94V-2	Nylon 66 Black	1pz	EGI srl	FCV100N	MILS-23190E

SPECIFICATION / DATA SHEET

	Order Code	Rev.	Date	Description	Page
		LT27013	01	15/05/24	85uH 8A Differential Mode Chokes – Line Power

Dimensions (mm):




Top view

Dimensions in millimeters

General Tolerance DIN ISO 2768-C

SPECIFICATION / DATA SHEET

	Order Code	Rev.	Date	Description	Page
		LT27013	01	15/05/24	85uH 8A Differential Mode Chokes – Line Power