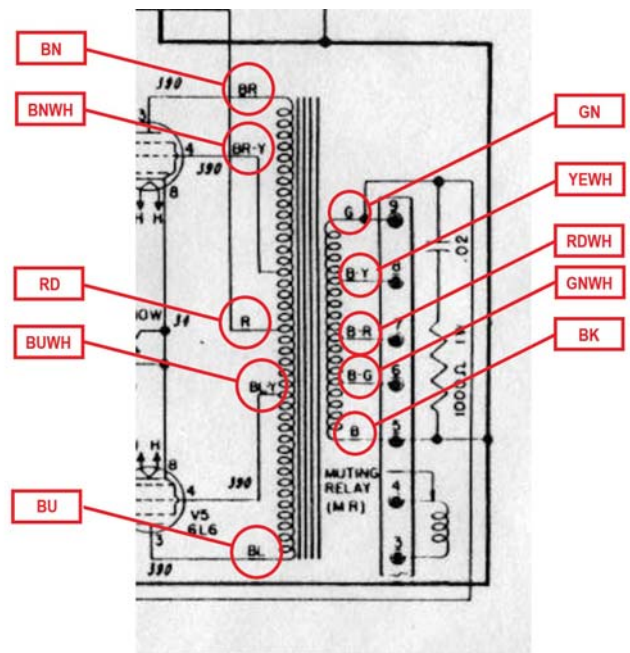


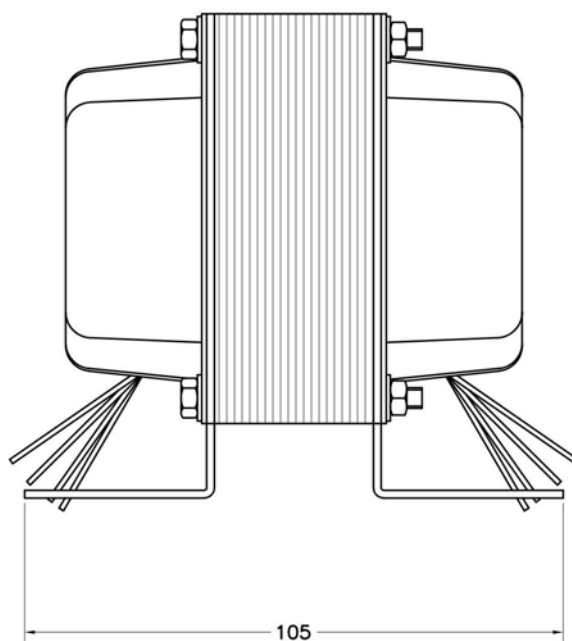
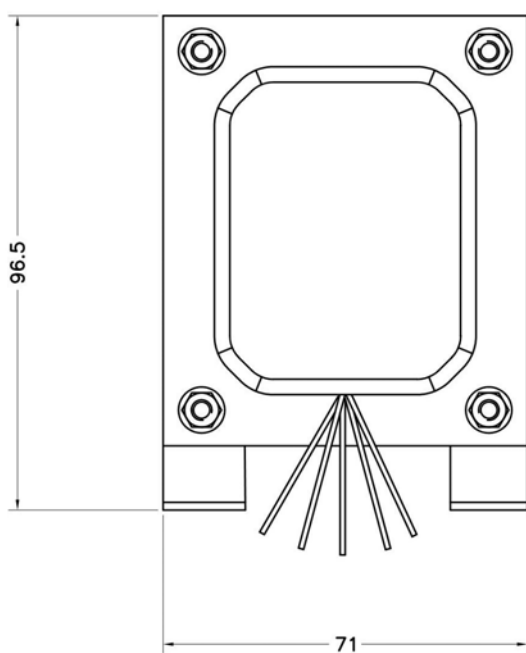
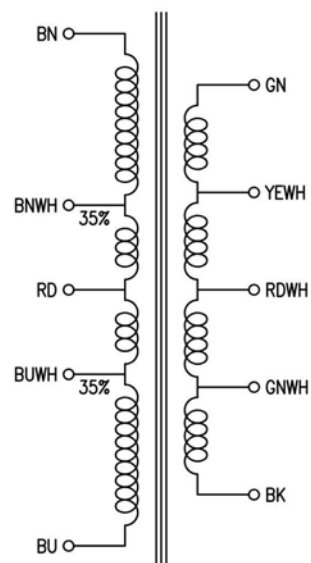
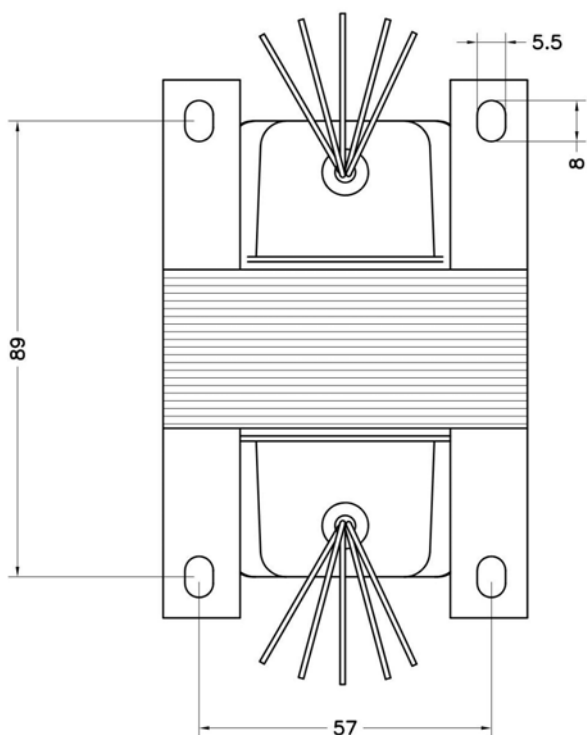
Replica of the original transformer used on AMI Jukeboxes from 1955 to 1960
 For 6L6 tubes
 Electrically identical to the original
 Mechanically differs in shape but 100% compatible.

Matching the colors of the output cables between original (in circles) and replica (in rectangles)





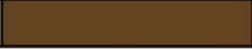









PIEMME ELEKTRA	Doc. type		DATA SHEET		
	P/N	Rev.	Date	Description	Page
	EI84020C	00	22/07/20	6L6 Output Transfrmer	1 of 2

Dimensions and wiring diagram



PIEMME ELEKTRA	Doc. type		DATA SHEET		
	P/N	Rev.	Date	Description	Page
	EI84020C	00	22/07/20	6L6 Output Transfprmer	2 of 2

COLOR ABBREVIATION

Italian	Abbreviation (IT)	Colors	Abbreviation according IEC 60757	English
NERO	NE		BK	BLACK
BLU	BL		BU	BLUE
MARRONE	MA		BN	BROWN
VERDE	VE		GN	GREEN
GRIGIO	GR		GY	GREY
ARANCIO	AR		OG	ORANGE
ROSA	RS		PK	PINK
VIOLA	VI		VT	VIOLET
ROSSO	RO		RD	RED
BIANCO	BI		WH	WHITE
GIALLO	GI		YE	YELLOW
GIALLO/VERDE	GI/VE		GNYE	GREEN/YELLOW

PIEMME ELEKTRA	Doc. type		DATA SHEET		
	P/N	Rev.	Date	Description	Page
	EI84020C	00	22/07/20	6L6 Output Transfprmer	3 of 2