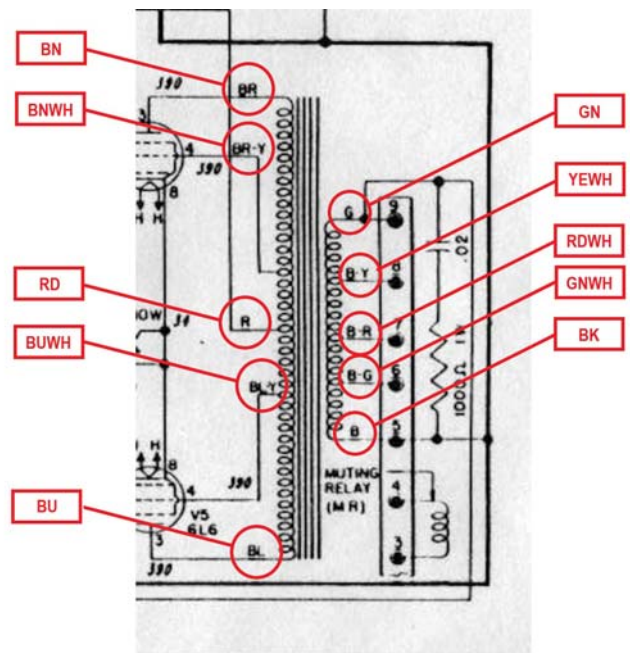


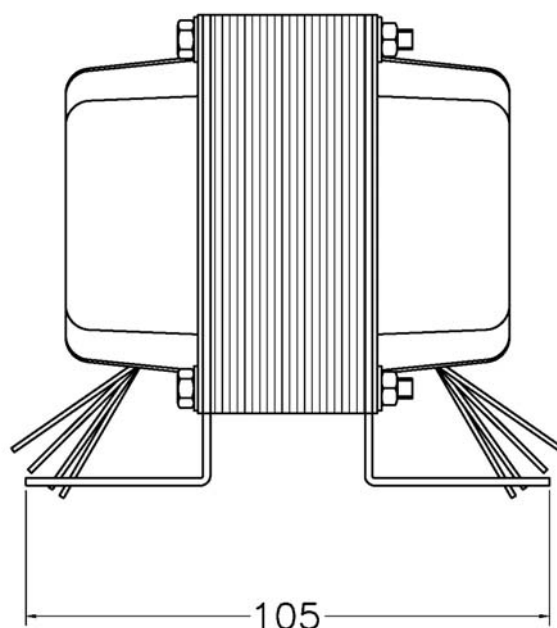
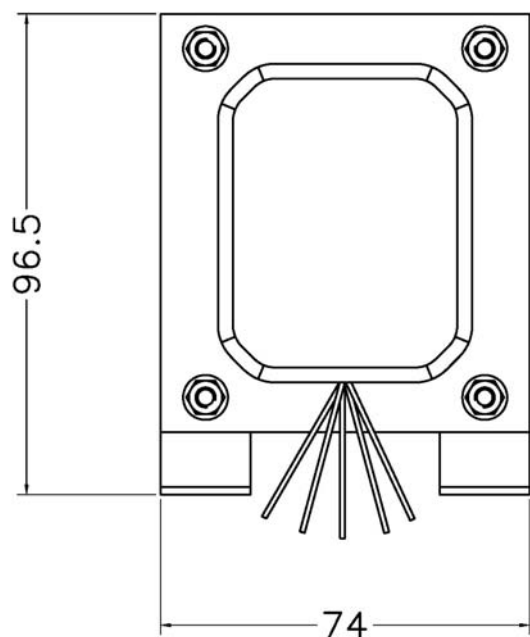
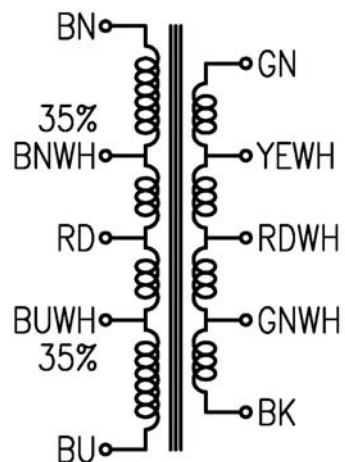
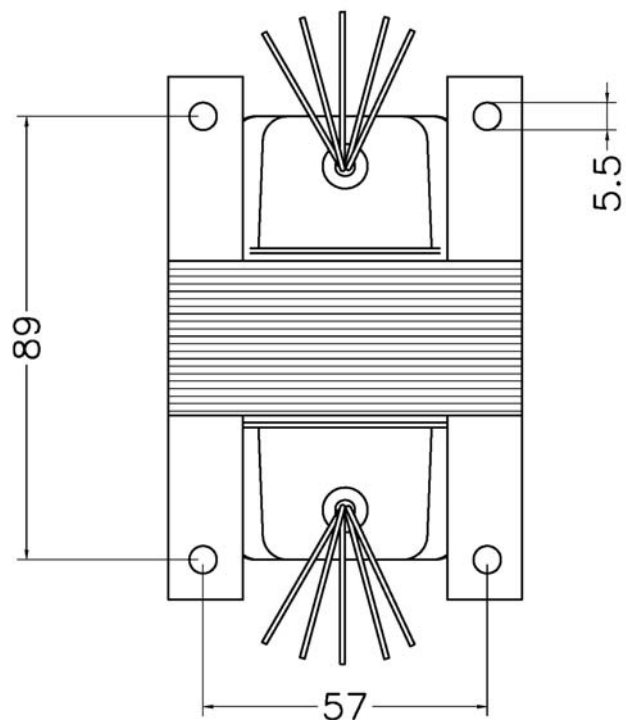
Replica of the original transformer used on AMI Jukeboxes from 1955 to 1960
 For 6L6 tubes
 Electrically identical to the original
 Mechanically differs in shape but 100% compatible.

Matching the colors of the output
 cables between original (in circles)
 and replica (in rectangles)



PIEMME ELEKTRA	Doc. type		DATA SHEET		
	P/N	Rev.	Date	Description	Page
	EI84020C	00	22/07/20	6L6 Output Transfrmer	1 of 2

Dimensions and wiring diagram



Dimensions in millimeters

PIEMME ELEKTRA	Doc. type		DATA SHEET		
	P/N	Rev.	Date	Description	Page
	EI84020C	00	22/07/20	6L6 Output Transfrmer	2 of 2