



PIEMME ELEKTRA SRL

TRASFORMATORI
www.piemme-elektra.it

Information contained in this document is proprietary to
PIEMME ELEKTRA SRL.
This document and the information contained herein may
not be copied, reproduced, used or disclosed in whole or
in part in any form without the prior written consent of
PIEMME ELEKTRA SRL.

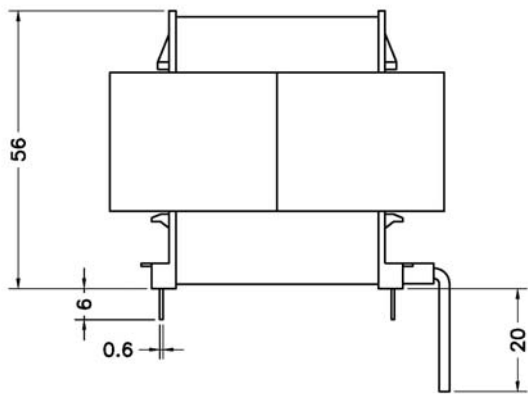
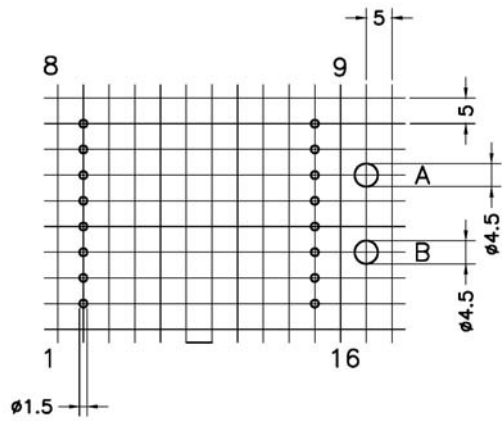
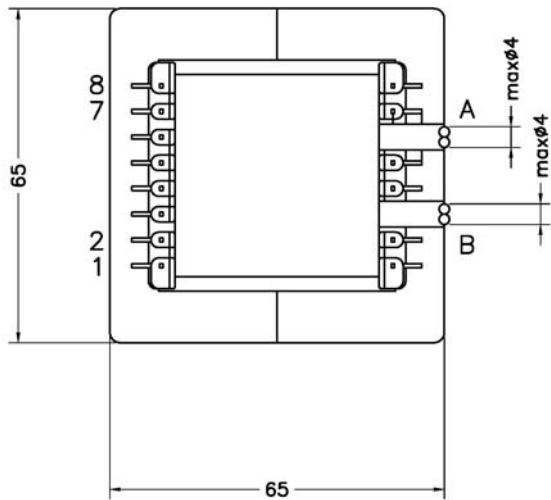
Revisions

Rev.	Description	Date	Executor
05			
04			
03			
02			
01	Issue	10/06/16	Parlione M.

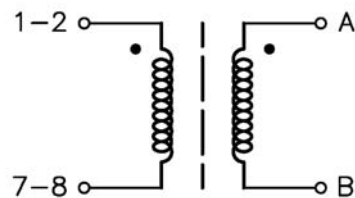
Technical data


Power	3kW
Nominal input voltage	400V
Minimum input voltage	375V
Maximum input voltage	425V
Output Voltage	48V (DC)
Output current	62A
Max operating frequency	250kHz
Turn ratio	18/2 Turns
Primary inductance	118 uH Typ
Leakage inductance @ PRI	20 uH Typ
Secondary Inductance	1.85 uH
Leakage inductance @ SEC	0.28 uH
Insulation voltage PRI/SEC	4500Vac
Operating Temperature	-20/+50
Maximum working temperature	155°C (F)
Weight	550 gr

document type		Data Sheet			
	code	Rev.	Date	Description	Page
	TE65037	01	10/06/16	Switching Transformer	1 of 2



Dimensioni in millimetri



document type		Data Sheet			
	code	Rev.	Date	Description	Page
	TE65037	01	10/06/16	Switching Transformer	2 of 2